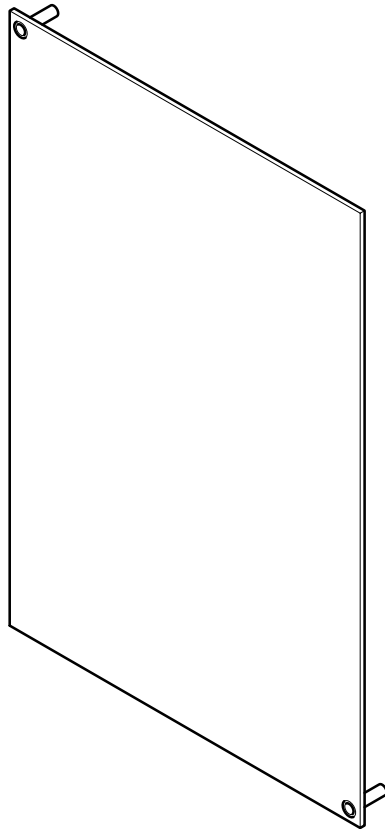


Installation Guide

SPSK505

SCO Kiosk blank cover plate



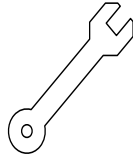
CAUTION

This product is intended for indoor use only.

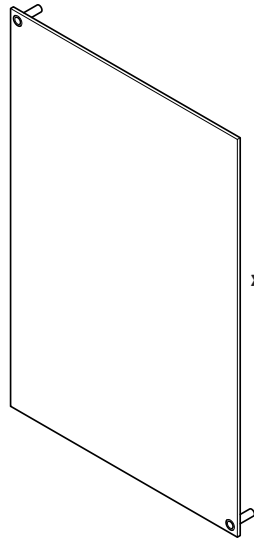
If these installation instructions are not followed correctly, it could lead to product failure and potential personal injury.

Ergonomic Solutions/SpacePole cannot be held responsible for any failure or injury, if the installation instructions are not followed correctly.

Tool list



Box content

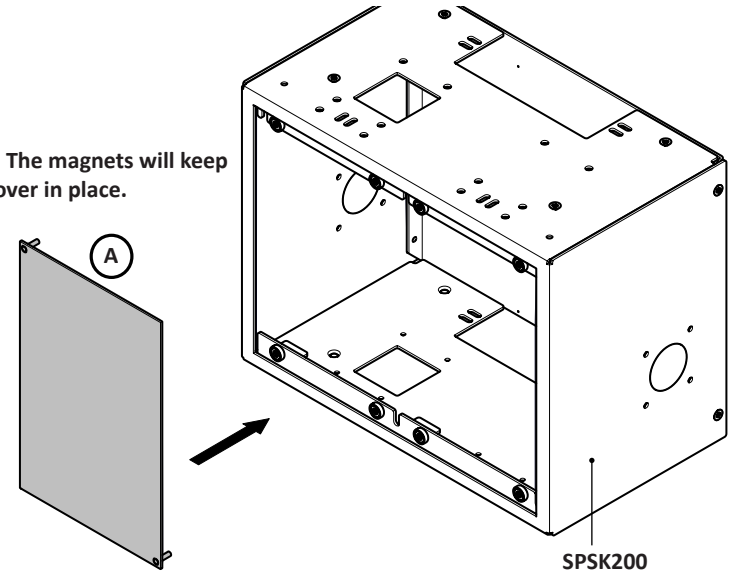


x1 Blank cover plate (A)

 x2 M4 nuts

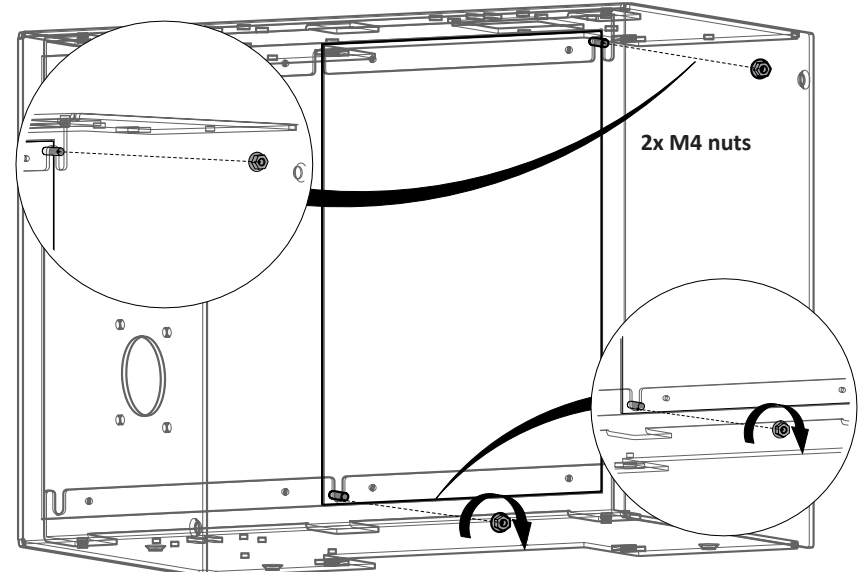
1 Mount cover on Center module

Note: The magnets will keep the cover in place.



SPSK200
(Supplied separately)

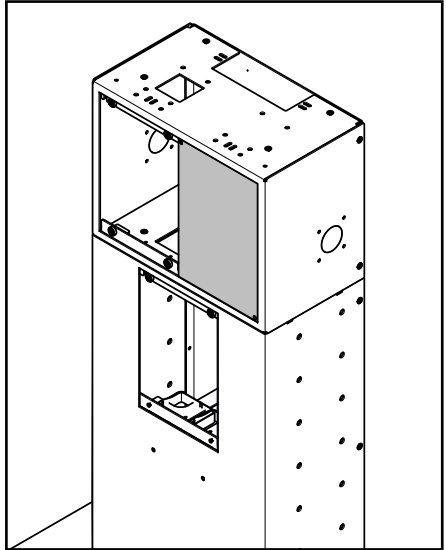
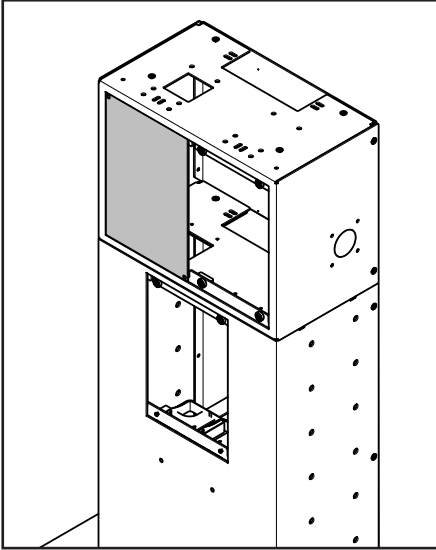
2 Optional: Secure cover



2x M4 nuts

Three location options for SCO kiosk set

Center module



Floorstand

